

## **52KHz, 2A PWM Buck DC/DC Converter**

### ❖ GENERAL DESCRIPTION

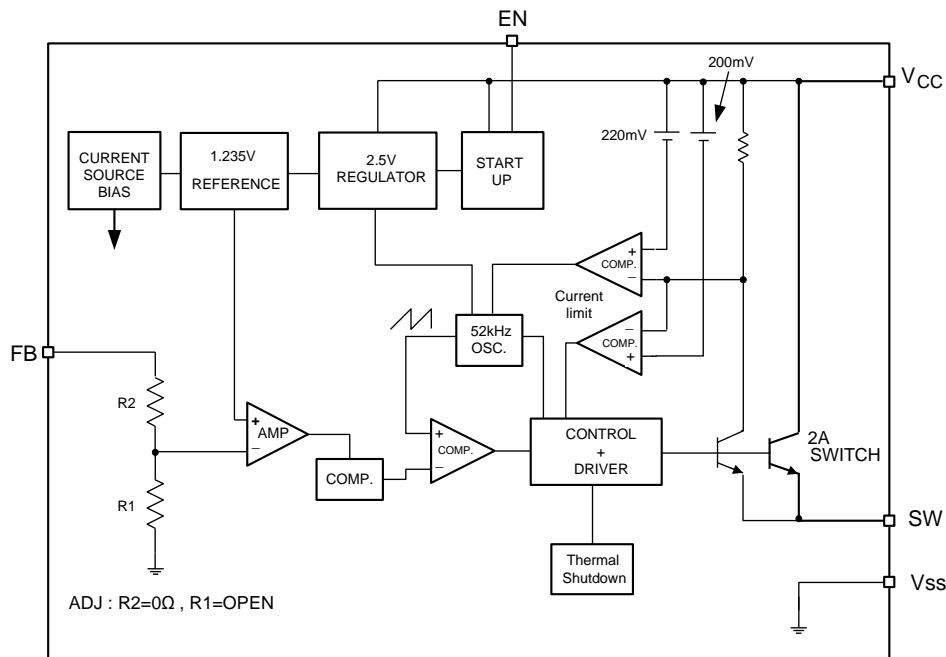
The AX3007B series are monolithic IC designed for a step-down DC/DC converter, and own the ability of driving a 2A load without additional transistor. It saves board space. The external shutdown function can be controlled by logic level and then come into standby mode. The internal compensation makes feedback control having good line and load regulation without external design. Regarding protected function, thermal shutdown is to prevent over temperature operating from damage, and current limit is against over current operating of the output switch. If current limit function occurs and  $V_{FB}$  is down below 0.5V, the switching frequency will be reduced.

The AX3007B series operates at a switching frequency of 52KHz thus allow smaller sized filter components than what would be needed with lower frequency switching regulators. The output version included fixed 3.3V, 5V, 12V, and an adjustable type. The chips are available in standard SOP-8L, SOP-8L-EP and TO263-5L packages.

### ❖ FEATURES

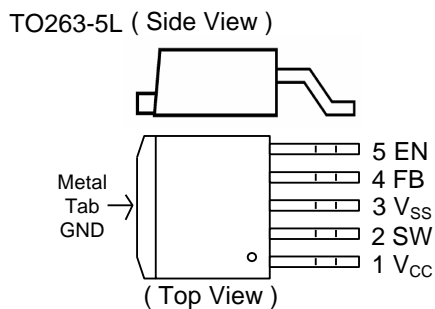
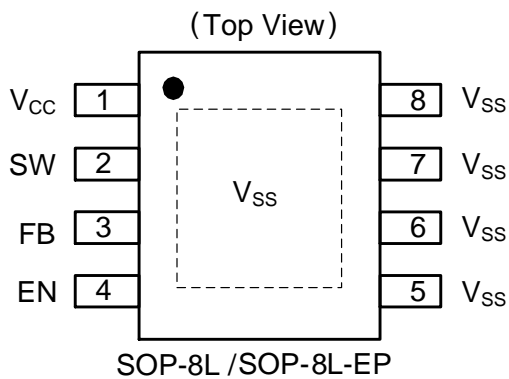
- Output voltage: 3.3V, 5V, 12V and adjustable output version.
- Adjustable version output voltage range, 1.23V to 38.5V.
- 52KHz fixed switching frequency.
- Voltage mode non-synchronous PWM control.
- Thermal-shutdown and current-limit protection.
- ON/OFF shutdown control input.
- Short Circuit Protect (SCP).
- Operating voltage can be up to 40V.
- Output load current: 2A.
- SOP-8L, SOP-8L with Exposed Pad and TO263-5L Pb-Free packages.
- Low power standby mode.
- Built-in switching transistor on chip.
- RoHS and Halogen free compliance.

❖ BLOCK DIAGRAM



❖ PIN ASSIGNMENT

The packages of AX3007B are SOP-8L, SOP8-EP and TO263-5L the pin assignment is given by:



Name	Description
V <sub>CC</sub>	Operating voltage input
SW	Switching output
FB	Output voltage feedback control
EN	ON/OFF Shutdown
V <sub>SS</sub>	GND pin

❖ ORDER INFORMATION

Order Information	
AX3007B-XX XX X ┌───┬───┬───┐ Output Voltage Package Type Packing 33: 3.3V S: SOP-8L Blank : Tube 50: 5.0V ES: SOP-8L-EP A : Taping 12: 12V M5: TO263-5L Blank:ADJ	
Top Marking (SOP-8L/SOP-8L-EP)	
ADJ  Logo ← <b>AX</b> 3 0 0 7 → Part number B Y Y W W X → ID code:internal └───┬───┬───┘ └───┬───┘ └───┘ Year: 10=2010 11=2011 AX3007B	FIX  Logo ← <b>AX</b> 3 0 0 7 → Part number - 5 0 → Output voltage B Y Y W W X → ID code:internal └───┬───┬───┘ └───┬───┘ └───┘ Year: 10=2010 11=2011 AX3007B
Top Marking (TO263-5L)	
ADJ  Logo ← <b>AX</b> 3 0 0 7 → Part number B → Function code AX3007B Y Y W W X → ID code:internal └───┬───┬───┘ └───┬───┘ └───┘ Year: 10=2010 11=2011 AX3007B	FIX  Logo ← <b>AX</b> 3 0 0 7 → Part number B - 5 0 → Output voltage Y Y W W X → ID code:internal └───┬───┬───┘ └───┬───┘ └───┘ Year: 10=2010 11=2011 AX3007B

❖ **ABSOLUTE MAXIMUM RATINGS**

Characteristics		Symbol	Rating	Unit
Maximum Supply Voltage		V <sub>CC</sub>	+45	V
ON/OFF Pin Input Voltage		V <sub>EN</sub>	-0.3 to 40	V
Feedback Pin Voltage		V <sub>FB</sub>	-0.3 to 20	V
Output Voltage to Ground		V <sub>OUT</sub>	-0.8	V
Power Dissipation Internally limited		PD	(T <sub>J</sub> -T <sub>A</sub> ) / θ <sub>JA</sub>	W
Storage Temperature Range		T <sub>ST</sub>	-65 to +150	°C
Operating Junction Temperature Range		T <sub>J</sub>	-40 to +125	°C
Operating Supply Voltage		V <sub>OP</sub>	+4.5 to +40	V
Thermal Resistance from Junction to case	SOP-8L	θ <sub>JC</sub>	20	°C/W
	SOP-8L-EP		15	
	TO263-5L		3.5	
Thermal Resistance from Junction to ambient	SOP-8L	θ <sub>JA</sub>	60	°C/W
	SOP-8L-EP		50	
	TO263-5L		25	

Note: θ<sub>JA</sub> is measured with the PCB copper area (need connect to V<sub>SS</sub> pins) of approximately 1.5 in<sup>2</sup> (Multi-layer).

**❖ ELECTRICAL CHARACTERISTICS**

(Unless otherwise specified,  $T_A=25^{\circ}\text{C}$ ,  $V_{CC}=12\text{V}$  for 3.3V, 5V, adjustable version and  $V_{CC}=18\text{V}$  for the 12V version.  $I_{LOAD} = 0.2\text{A}$ )

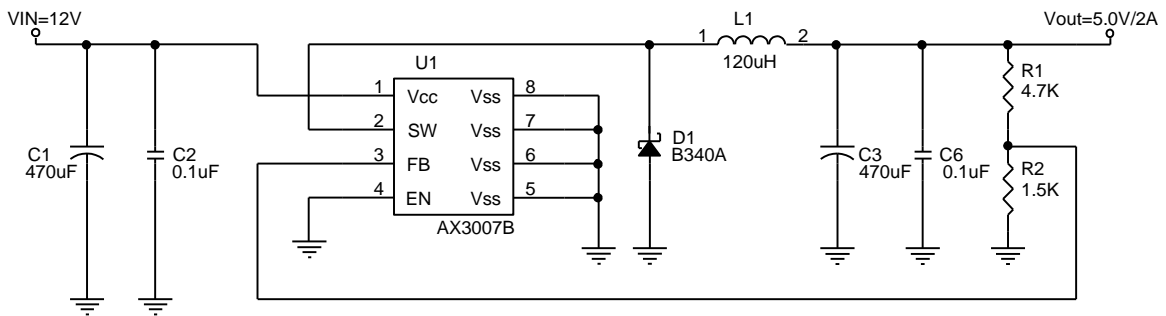
Characteristics		Symbol	Conditions	Min	Typ	Max	Units
Quiescent Current		$I_Q$	$V_{FB}=1.5\text{V}$ for Adjustable version force driver off	-	4	8	mA
Feedback bias current		$I_{FB}$	$V_{FB}=1.3\text{V}$ (Adjustable version only)	-	-10	-500	nA
Shutdown supply Current		$I_{SD}$	EN pin=5V $V_{CC}=40\text{V}$	-	100	200	uA
Oscillator frequency		$F_{OSC}$		40	52	65	KHz
Oscillator frequency of short circuit protect		$F_{SCP}$	(Adjustable) When $V_{FB}<0.5\text{V}$	-	15	-	KHz
			(Fixed)When $< V_{OUT}*40\%$	-	15	-	KHz
Max. Duty Cycle (ON)		DC	$V_{FB}=0\text{V}$ force driver on	-	100	-	%
Min. Duty Cycle (OFF)			$V_{FB}=1.5\text{V}$ for Adjustable version force driver off	-	0	-	
Current limit		$I_{CL}$	Pear current, No outside circuit $V_{FB}=0\text{V}$ force driver on	2.2	-	-	A
Load Regulation( $\Delta V_{OUT}/V_{OUT}$ )		$\Delta V_{OUT}$	$I_{OUT} = 0.2$ to 2A	-	0.6	1.2	%
Saturation voltage		$V_{SAT}$	$I_{OUT}=2\text{A}$ , No outside circuit $V_{FB}=0\text{V}$ force driver on	-	1.2	1.4	V
SW pin leakage current	SW Pin=0V	$I_{SWL}$	No outside circuit $V_{FB}=1.5\text{V}$ for Adjustable version force driver off	-	-	-200	uA
	SW pin=-0.8V		$V_{CC}=40\text{V}$ force driver off	-	-5	-	mA
EN pin logic input threshold voltage		$V_{IL}$	Low (regulator ON)	-	1.3	0.6	V
		$V_{IH}$	High (regulator OFF)	2.0		-	
EN pin logic input current		$I_H$	$V_{EN}=2.5\text{V}$ (OFF)	-	-0.1	-10	uA
EN pin input current		$I_L$	$V_{EN}=0.5\text{V}$ (ON)	-	-0.01	-1.5	uA
Thermal shutdown Temp		$T_{SD}$		-	150	-	$^{\circ}\text{C}$

❖ ELECTRICAL CHARACTERISTICS (CONTINUED)

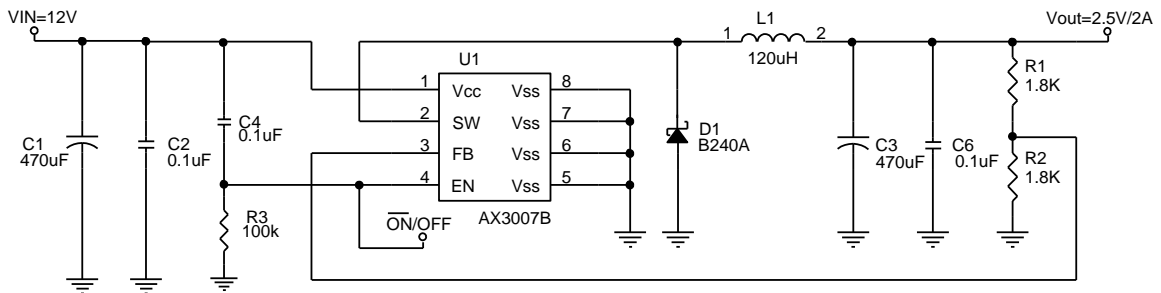
Version	Characteristics	Symbol	Conditions	Min	Typ	Max	Units
AX3007B-ADJ	Output Feedback voltage	$V_{FB}$	$I_{LOAD} = 0.2A$ $V_{OUT}$ programmed for 3.3V	1.193	1.23	1.267	V
	Efficiency	$\eta$	$V_{CC} = 12V, I_{LOAD} = 2A$	-	78	-	%
AX3007B-3.3V	Output voltage	$V_{OUT}$	$I_{LOAD} = 0.2A$	3.20	3.30	3.40	V
	Efficiency	$\eta$	$V_{CC} = 12V, I_{LOAD} = 2A$	-	78	-	%
AX3007B-5.0V	Output voltage	$V_{OUT}$	$I_{LOAD} = 0.2A$	4.85	5.00	5.15	V
	Efficiency	$\eta$	$V_{CC} = 12V, I_{LOAD} = 2A$	-	82	-	%
AX3007B-12V	Output voltage	$V_{OUT}$	$I_{LOAD} = 0.2A$	11.64	12.0	12.36	V
	Efficiency	$\eta$	$V_{CC} = 15V, I_{LOAD} = 2A$	-	90	-	%

❖ APPLICATION CIRCUIT

(1) Adjustable Output Voltage Version



(2) Adjustable Output Voltage Version with Delayed Startup



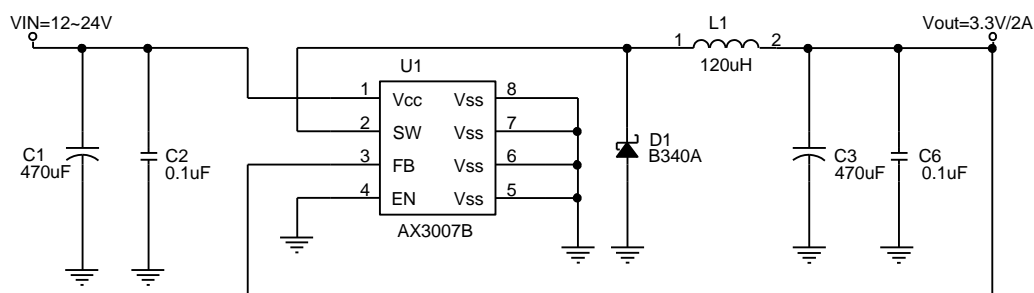
$$V_{OUT} = V_{FB} \times \left(1 + \frac{R1}{R2}\right), V_{FB} = 1.23V, R2 = 0.47K \sim 3K$$

Table 1 Resistor select for output voltage setting

V <sub>OUT</sub>	R2	R1
5V	1.5K	4.7K
	1.8K	5.6K
3.3V	1.5K	2.5K
	1.8K	3.0K
2.5V	1.8K	1.8K
1.8V	1.8K	0.82K

L1 recommend value (I <sub>OUT</sub> =2A,)				
V <sub>OUT</sub>	2.5V	3.3V	5V	12V
V <sub>IN</sub> =12V	120uH	120uH	120uH	NA
V <sub>IN</sub> =24V	120uH	120uH	120uH	150uH

**(3) Fixed Output Voltage Version**



**❖ FUNCTION DESCRIPTION**

**Pin Functions**

**V<sub>CC</sub>**

This is the positive input supply for the IC switching regulator. A suitable input bypass capacitor must be presented at this pin to minimize voltage transients and to supply the switching currents needed by the regulator.

**V<sub>SS</sub>**

Circuit ground.

## SW

Internal switch. The voltage at this pin switches between  $(+V_{CC} - V_{SAT})$  and approximately  $-0.5V$ , with a duty cycle of approximately  $V_{OUT} / V_{CC}$ . To minimize coupling to sensitive circuitry, the PC board copper area connected to this pin should be minimized.

## Feedback

Senses the regulated output voltage to complete the feedback loop.

## EN

Allows the switching regulator circuit to be shutdown using logic level signals thus dropping the total input supply current to approximately 100uA. Pulling this pin below a threshold voltage of approximately 1.3V turns the regulator on, and pulling this pin above 1.3V (up to a maximum of  $V_{CC}$ ) shuts the regulator down. If this shutdown feature is not needed, the EN pin can be wired to the ground pin.

## Thermal Considerations

The SOP-8L package needs a heat sink under most conditions. The size of the heat sink depends on the input voltage, the output voltage, the load current and the ambient temperature. The AX3007B junction temperature rises above ambient temperature for a 2A load and different input and output voltages.

The data for these curves was taken with the AX3007B (SOP-8L package) operating as a buck-switching regulator in an ambient temperature of 25°C (still air). These temperature increments are all approximate and are affected by many factors. Higher ambient temperatures require more heat sinker.

For the best thermal performance, wide copper traces and generous amounts of printed circuit board copper (need connect to the  $V_{SS}$  pins) should be used in the board layout, (One exception is the SW(switch) pin, which should not have large areas of copper.) Large areas of copper provide the best transfer of heat (lower thermal resistance) to the surrounding air, and moving air lowers the thermal resistance even further.

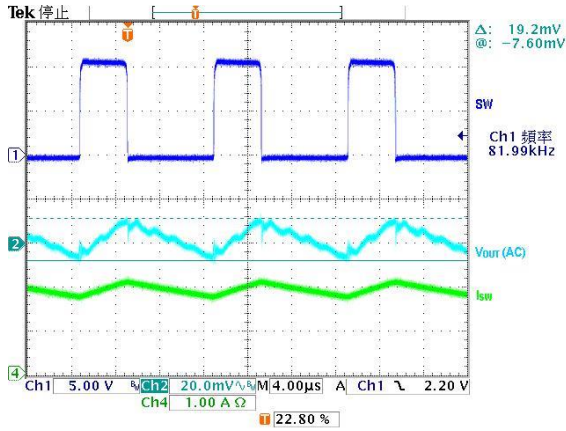


Package thermal resistance and junction temperature increments are all approximate. The increments are affected by a lot of factors. Some of these factors include board size, shape, thickness, position, location, and even board temperature. Other factors are, trace width, total printed circuit copper area, copper thickness, single or double-sided, multi-layer board and the amount of solder on the board.

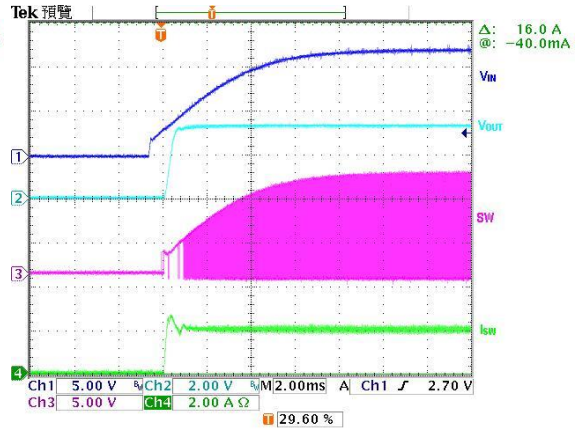
The effectiveness of the PC board to dissipate heat also depends on the size, quantity and spacing of other components on the board, as well as whether the surrounding air is still or moving. Furthermore, some of these components such as the catch diode will add heat to the PC board and the heat can vary as the input voltage changes. For the inductor, depending on the physical size, type of core material and the DC resistance, it could either act as a heat sink taking heat away from the board, or it could add heat to the board.

## ❖ TYPICAL CHARACTERISTICS

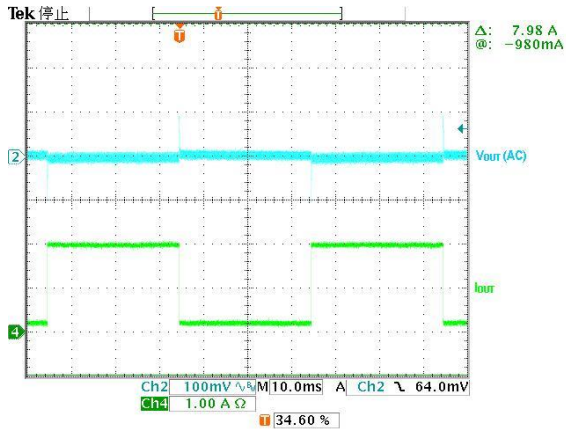
Output Ripple  
( $V_{IN}=12V, V_{OUT}=3.3V, I_{OUT}=2A$ )



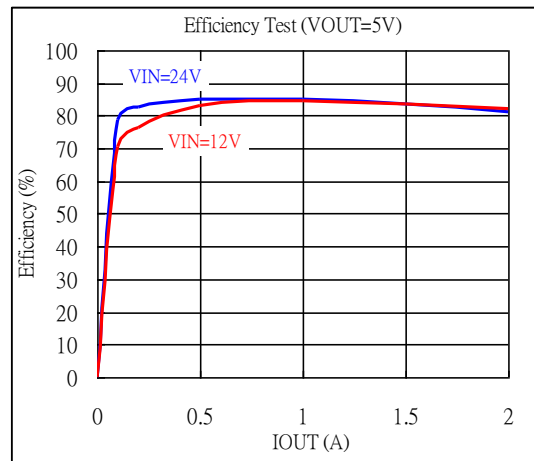
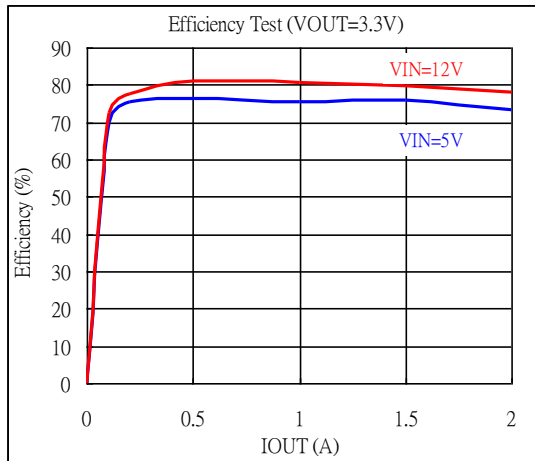
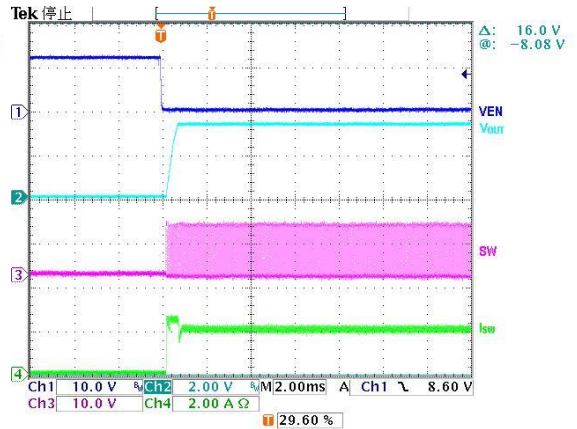
Power on test wave  
( $V_{IN}=12V, V_{OUT}=5V, I_{OUT}=2A$ )



Load Transient Response  
( $V_{IN}=12V, V_{OUT}=3.3V, I_{OUT}=0.2\sim 2A$ )

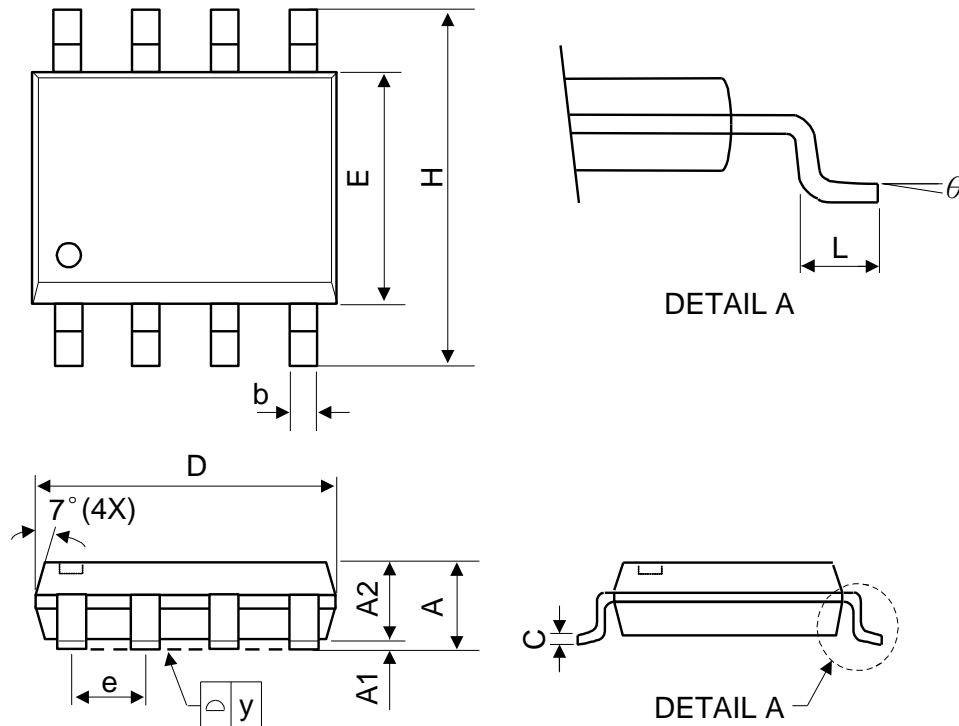


EN on test wave  
( $V_{IN}=12V, V_{OUT}=5V, I_{OUT}=2A$ )



❖ PACKAGE OUTLINES

(1) SOP-8L

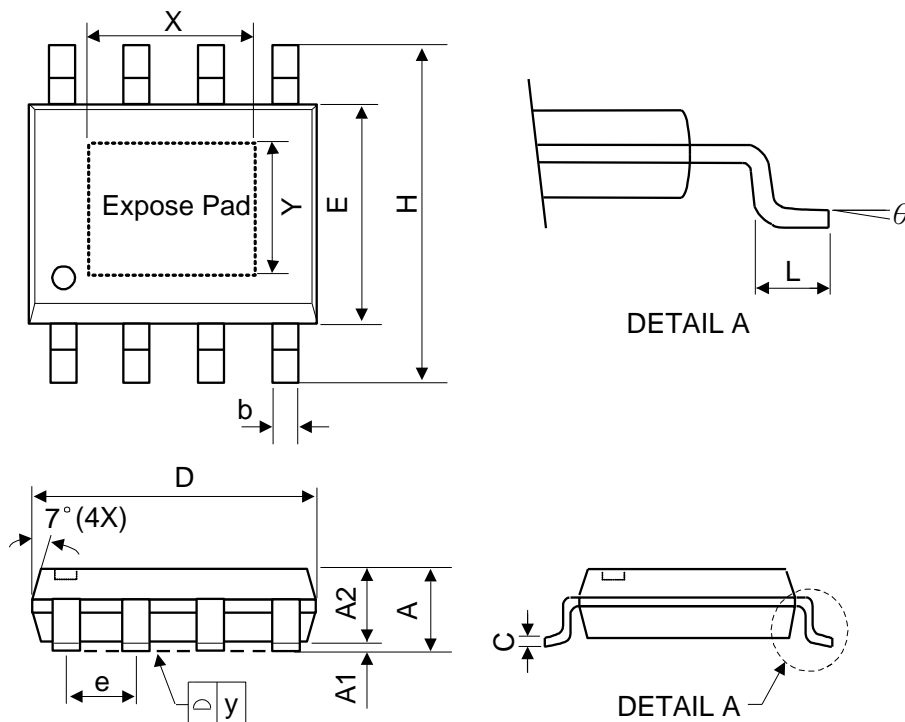


Symbol	Dimensions in Millimeters			Dimensions in Inches		
	Min.	Nom.	Max.	Min.	Nom.	Max.
A	-	-	1.75	-	-	0.069
A1	0.1	-	0.25	0.04	-	0.1
A2	1.25	-	-	0.049	-	-
C	0.1	0.2	0.25	0.0075	0.008	0.01
D	4.7	4.9	5.1	0.185	0.193	0.2
E	3.7	3.9	4.1	0.146	0.154	0.161
H	5.8	6	6.2	0.228	0.236	0.244
L	0.4	-	1.27	0.015	-	0.05
b	0.31	0.41	0.51	0.012	0.016	0.02
e	1.27 BSC			0.050 BSC		
y	-	-	0.1	-	-	0.004
θ	0°	-	8°	0°	-	8°

Mold flash shall not exceed 0.25mm per side

JEDEC outline: MS-012 AA

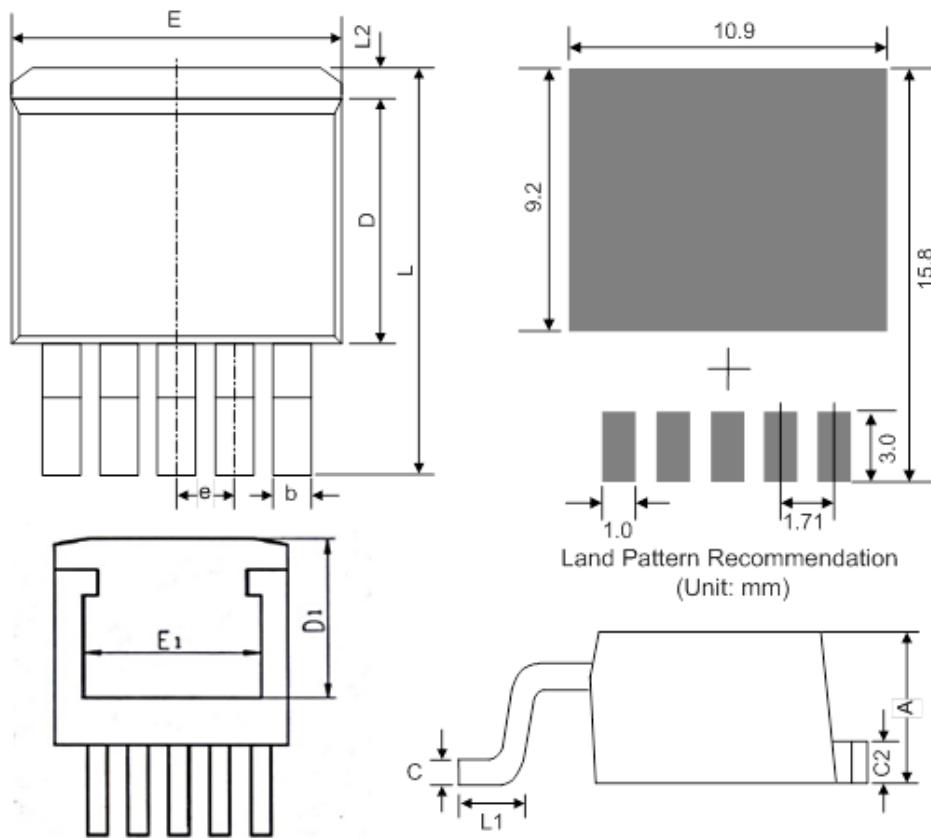
(2) SOP-8L-EP



Symbol	Dimensions in Millimeters			Dimensions in Inches		
	Min.	Nom.	Max.	Min.	Nom.	Max.
A	-	-	1.75	-	-	0.069
A1	0	-	0.15	0	-	0.06
A2	1.25	-	-	0.049	-	-
C	0.1	0.2	0.25	0.0075	0.008	0.01
D	4.7	4.9	5.1	0.185	0.193	0.2
E	3.7	3.9	4.1	0.146	0.154	0.161
H	5.8	6	6.2	0.228	0.236	0.244
L	0.4	-	1.27	0.015	-	0.05
b	0.31	0.41	0.51	0.012	0.016	0.02
e	1.27 BSC			0.050 BSC		
y	-	-	0.1	-	-	0.004
X	-	2.34	-	-	0.092	-
Y	-	2.34	-	-	0.092	-
θ	0°	-	8°	0°	-	8°

Mold flash shall not exceed 0.25mm per side  
JEDEC outline: MS-012 BA

(3) TO263-5L

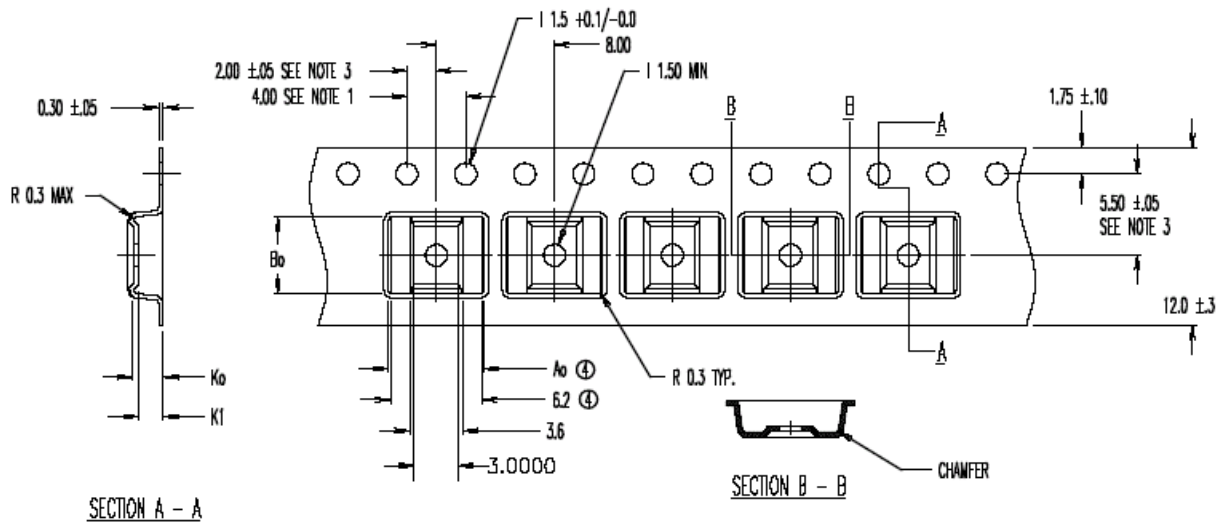


Symbol	Dimensions in Millimeters			Dimensions in Inches		
	Min.	Nom.	Max.	Min.	Nom.	Max.
A	4.06	4.45	4.83	0.16	0.175	0.19
b	0.51	0.76	0.99	0.02	0.03	0.039
C	0.38	0.56	0.74	0.015	0.022	0.029
C2	1.14	1.4	1.65	0.045	0.055	0.065
D	8.38	9.02	9.65	0.33	0.355	0.38
D1	6.0	-	-	0.24	-	-
E	9.65	10.2	10.7	0.38	0.4	0.42
E1	7.3	-	-	0.29	-	-
e	1.70 BSC			0.067 BSC		
L	13.9	15	15.9	0.547	0.59	0.625
L1	-	1.98	-	-	0.08	-
L2	-	-	1.68	-	-	0.066

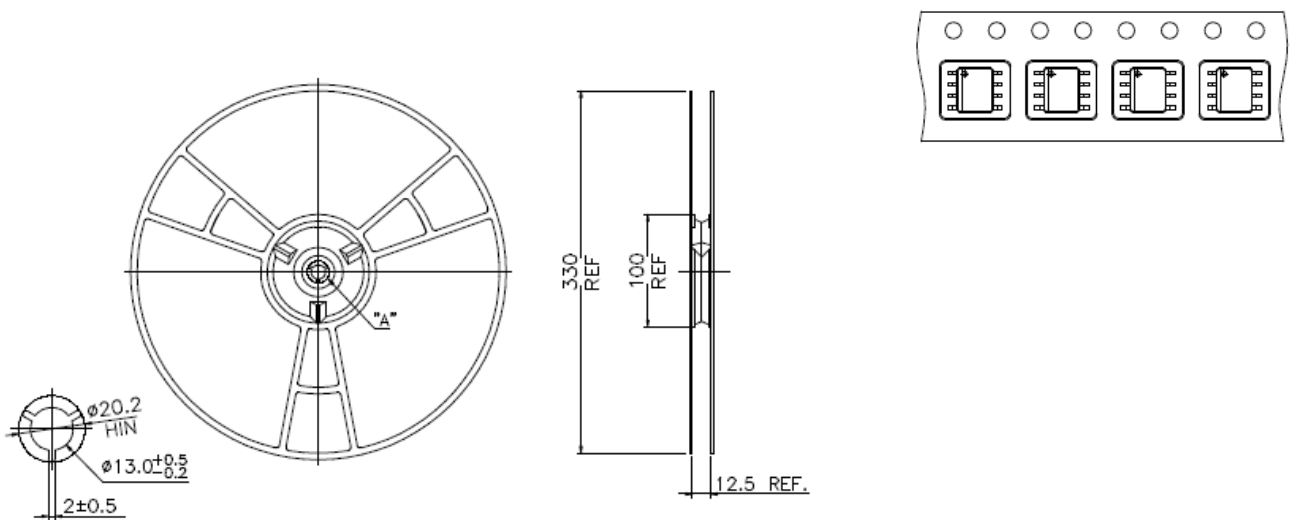
Mold flash shall not exceed 0.005inch per side

❖ CARRIER TAPE DIMENSION

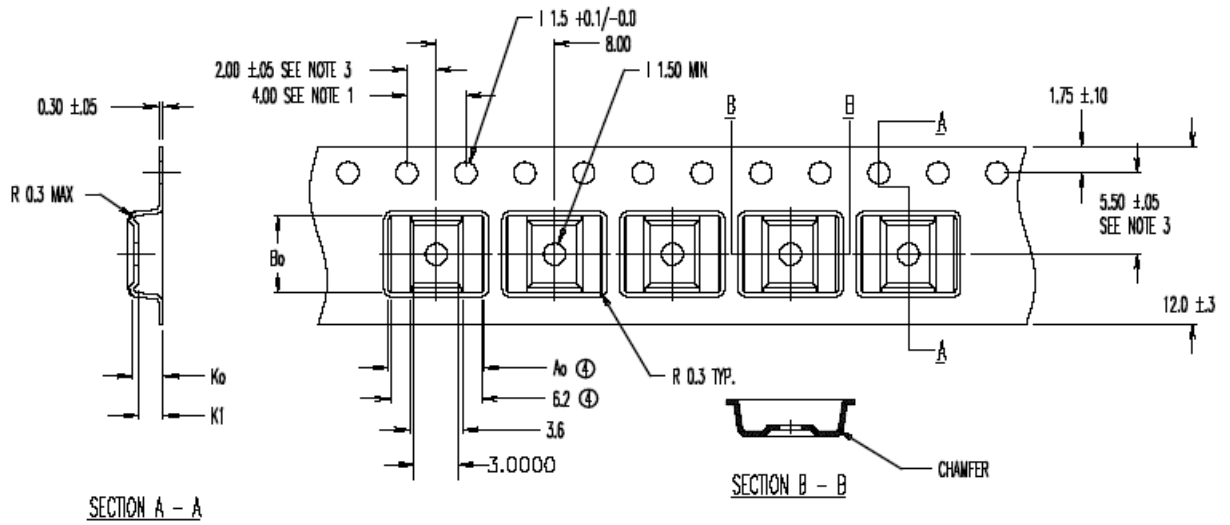
(1) SOP-8L



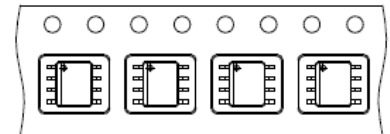
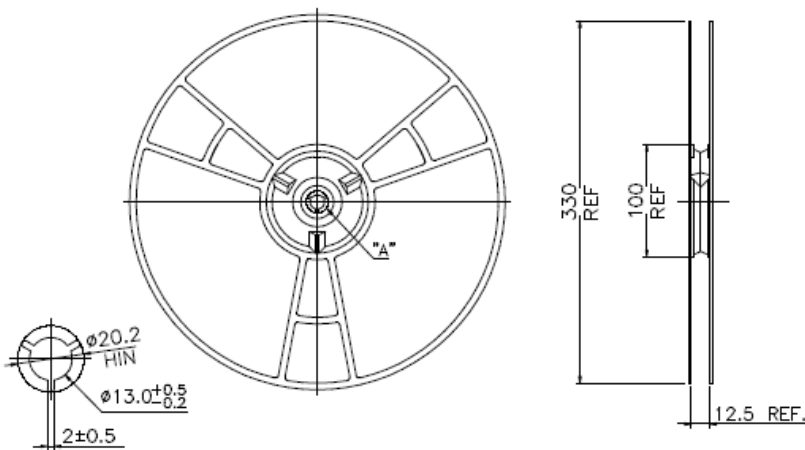
- ⊕ ⊕ Ao = 6.50
- Bo = 5.20
- Ko = 2.10
- K1 = 1.70



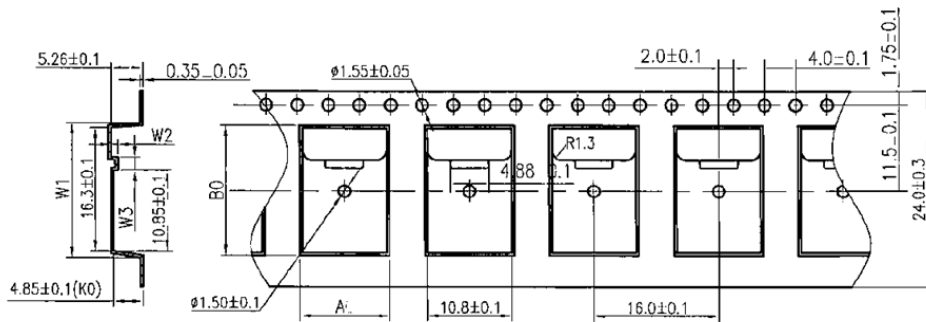
(2) SOP-8L-EP



- ⓐ A0 = 6.50
- ⓐ B0 = 5.20
- ⓐ K0 = 2.10
- ⓐ K1 = 1.70

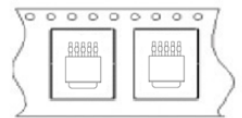
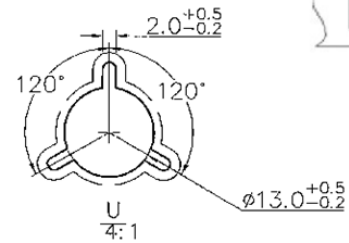
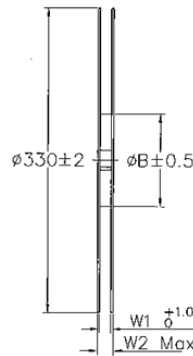
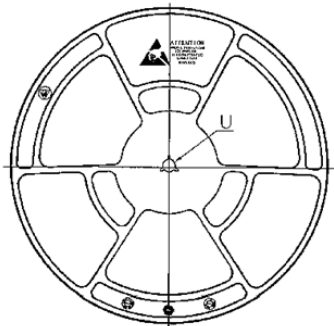


(3) TO263-5L



W1	17.2±0.1
W2	1.8±0.1
W3	0.85±0.1

(mm)



產品類別	載帶寬度	B(內徑)	W1	W2max
TO263	24	100	24.4	30.4

(mm)